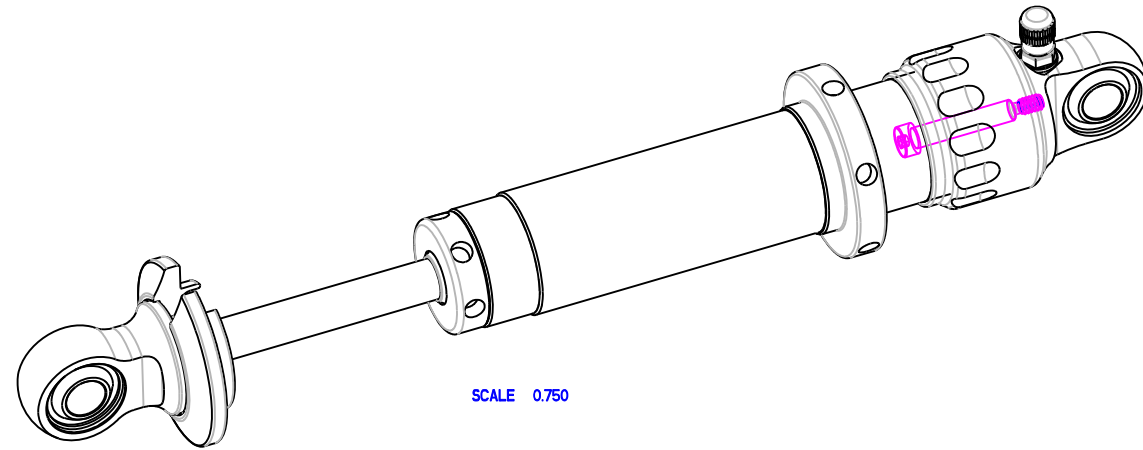
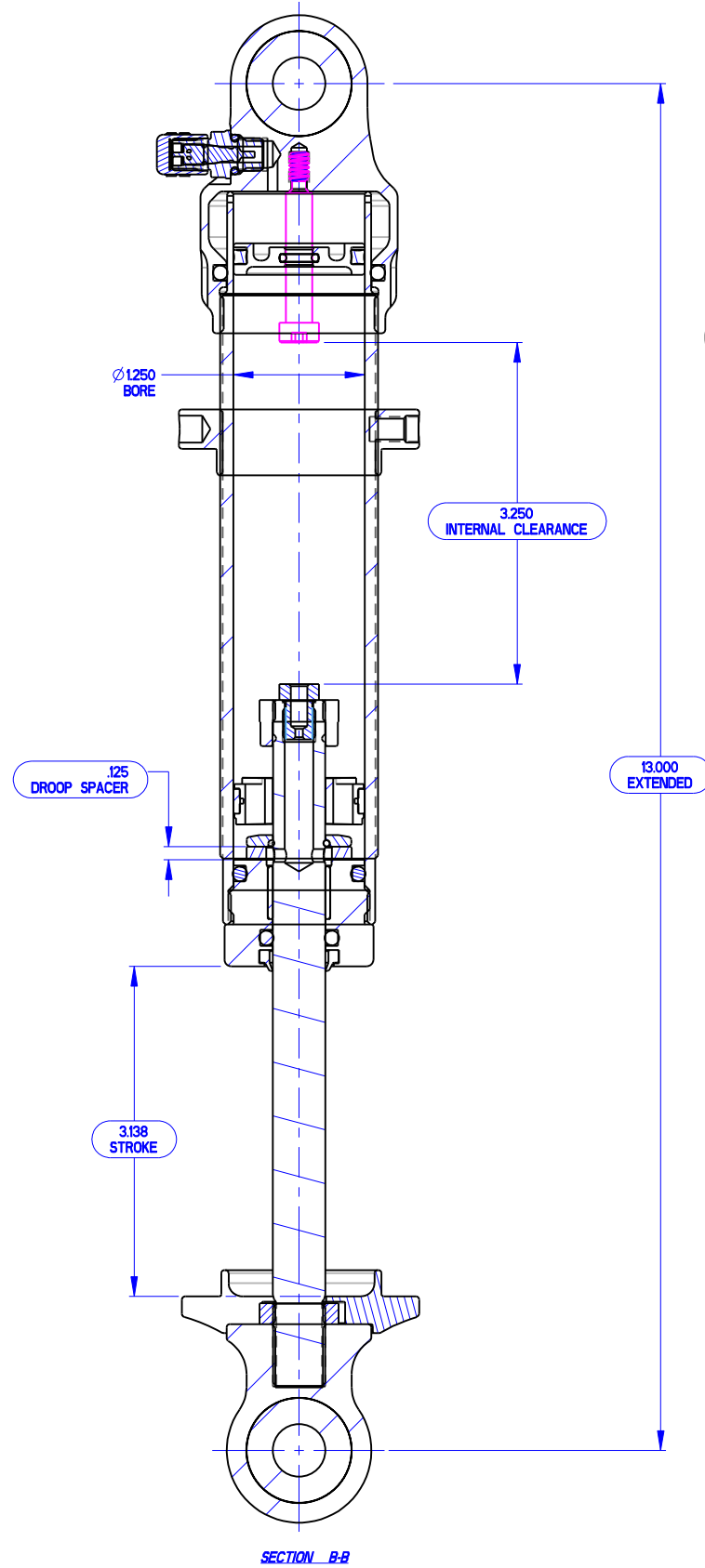
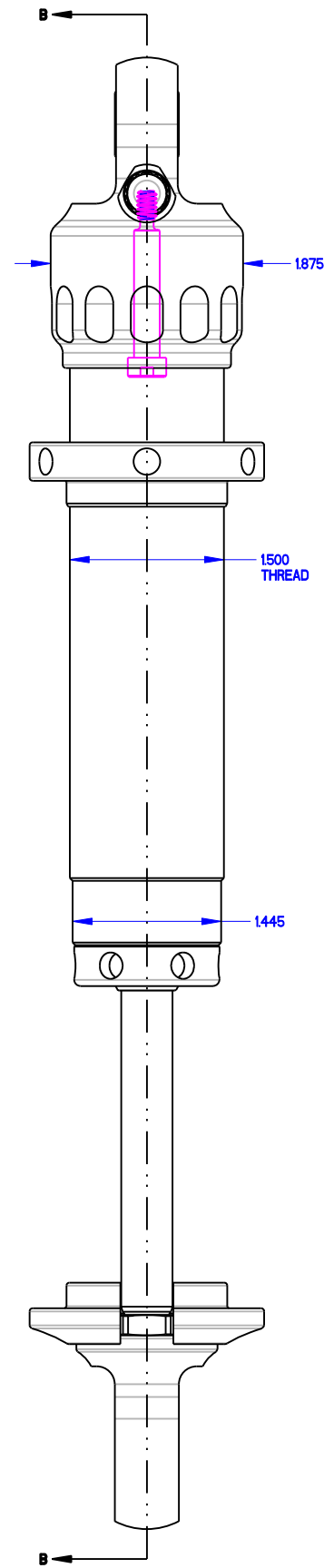


PS_7120_FV_381C



SCALE 0.750

NO.	DRAWING #	DESCRIPTION	QTTY
1	PS_7120_FV_381C	DAMPER, FORMULA V FRONT (2016)	1
2	BD_7120_793B	BODY, FORMULA V	1
3	BC_7120_306B	BODYCAP, FORMULA V	1
4	AS_FV_FP_STUD	SUB-ASSEMBLY	1
5	94035A581.10-24.1.25 SHOULDER		1
6	PI_7120_FP_685B	PISTON, FLOATING	1
7	OR_2010_B	P/N: OR-2010-B / O-RING, BUNA	1
8	OR_4214_B	O-RING	1
9	IU_22_5	INFLATION UNIT ASSEMBLY	1
10	EY_7150_8_AL_456B	TBD	1
11	SH_76NA3	7600, NON ADJ, 3" SHAFT	1
12	NT_14J	LOCK NUT, .500	1
13	MO_09	P/N: MO-09; MONO BALL, 1/2" ID	2
14	JT_070	JET	1
15	VW_7600	TOP OUT PLATE	1
16	SB_7120_238B	SHAFT BEARING	1
17	OR_2214_B	O-RING	1
18	PI_7120_LL1250_684B	P/N: LINEAR, 1000 BORE	1
19	NT_02R	RING NUT	1
20	PB_1250	PISTON BAND	1
21	RR_07	RETAINING RING, 1/16" WIRE DIA, 1/2" SHAFT	1
22	RR_16	P/N: RR-16; RETAINING RING	3
23	BU_08DU08	BUSHING, DU .500 X .500	1
24	OR_2206_V	O-RING	1
25	SL_06	SEAL	1
26	OR_2220_B	O-RING	1
27	RH_7120_112B	7120 SERIES RIDE HEIGHT ADJUSTER	1
28	SR_7120_357B	SPRING RETAINER, 7500 2.25"	1
29	DS_7120_125	7120 SERIES .125" DROOP SPACER	1

REVISIONS		THIRD ANGLE PROJECTION	DO NOT SCALE	IF IN DOUBT - ASK
1	ISSUE	10/17/14	THIS DRAWING AND THE INFORMATION CONTAINED HEREIN IS THE PROPERTY OF PENSKE RACING SHOCKS. IT IS PRIVATE AND CONFIDENTIAL AND IS ISSUED ON THE EXPRESSED CONDITION THAT IT IS NOT COMMUNICATED DIRECTLY OR INDIRECTLY, IN WHOLE OR IN PART, OR USED FOR MANUFACTURE OF ANY PARTS SHOWN HEREIN, WITHOUT THE WRITTEN CONSENT OF PENSKE RACING SHOCKS. ACCEPTANCE OF THIS DRAWING WILL BE CONSTRUED AS ACCEPTANCE OF THE FOREGOING CONDITIONS.	
2	NEW EYELET .125 DROOP	9/25/15		
TOLERANCES U.S.		DESIGNED BY: SAJ	CHECKED/PEA BY:	ISSUE DATE: 10/17/14
FRAC. ± 1/32		MATERIAL:	MACH. FINISH: 32	FINISH/PROTECTION:
.XX ± .010		TITLE: 2016 FORMULA VEE ASSEMBLY, FRONT DAMPER		
.XXX ± .005		SCALE: 1000		
.XXXX ± .001		SHEET: 1 OF: 1		
ANG. ± 1/2°		DRAWING NUMBER: PS_7120_FV_381C		